

Smart Laser & Plasma Systems

2ch DFB laser unit

2D Time series Temperature and
Concentration distributions measurement system



Model Number

2ch DFB laser unit : LD-DFB-2ch-14BTF

Specification

Number of laser channel	2 ch
Wavelength	760-2340nm(custom-made)
Type of laser mount	14pin DFB package
Laser modulation frequency	0-200kHz
LD current	0~300mA, Modulated signal: 0~10V(Analog)
Modulation input	25mA/V
Temperature control	Control method: PID Control Control accuracy: $\pm 0.1^{\circ}\text{C}$.
Parameter setting	LD forward current:0~300mA, Resolution 1mA LD current limit: 0~300mA, Resolution 1mA Temperature setting: 0°C ~ 40°C , Resolution 1mA Temperature limit 0°C ~ 40°C , Resolution 1mA
Waveform Signal generator (FG)	output signal $\pm 5\text{V}$, 14bits
Connector type	SMA Input
Communication	USB
Power supply	DC $\pm 5\text{V}$, 3A
Environment	Temperature : $10\sim 40^{\circ}\text{C}$, Humidity : $30\sim 80\% \text{RH}$ (No Condensation)

Dimensions

●2ch DFB laser unit (Custom design is also possible)

W=230mm

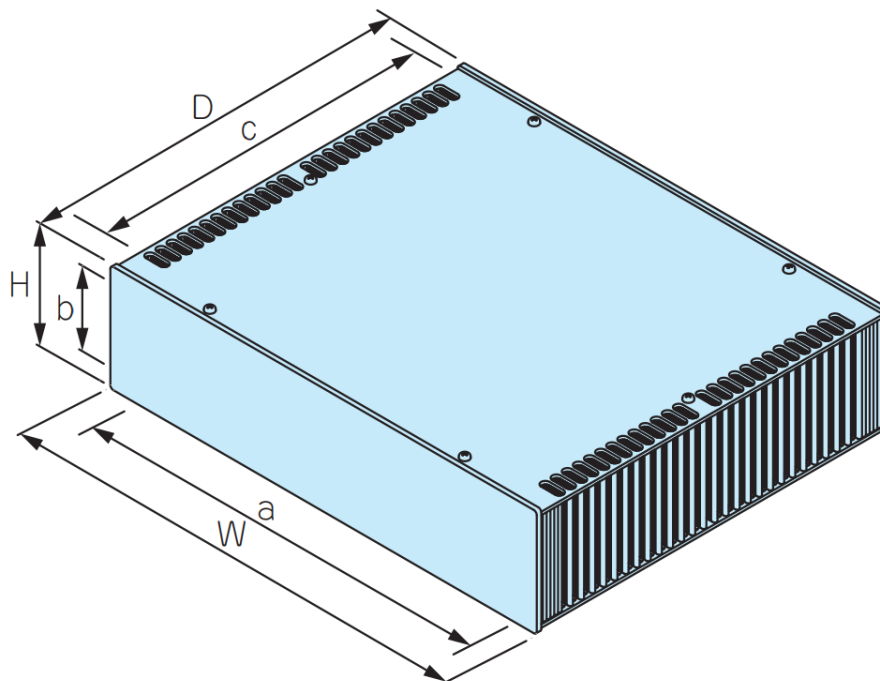
H=44mm

D=330mm

a=186mm

b=36mm

c=324mm



Smart Laser & Plasma Systems Co.
VBL, 2nd Floor, 2-1, Minamijosanjima,
Tokushima, 770-8506 JAPAN

TEL: +81-88-656-7556

FAX: +81-88-656-7556

E-mail: info@slps.co.jp

WEB: <http://slps.co.jp/index.html>