

Smart Laser & Plasma Systems

185-400nm UV Lamp

2D Time series Temperature and
Concentration distributions measurement system



Model Number

185-400nm UV Lamp : RP-UV-1.85-4.0

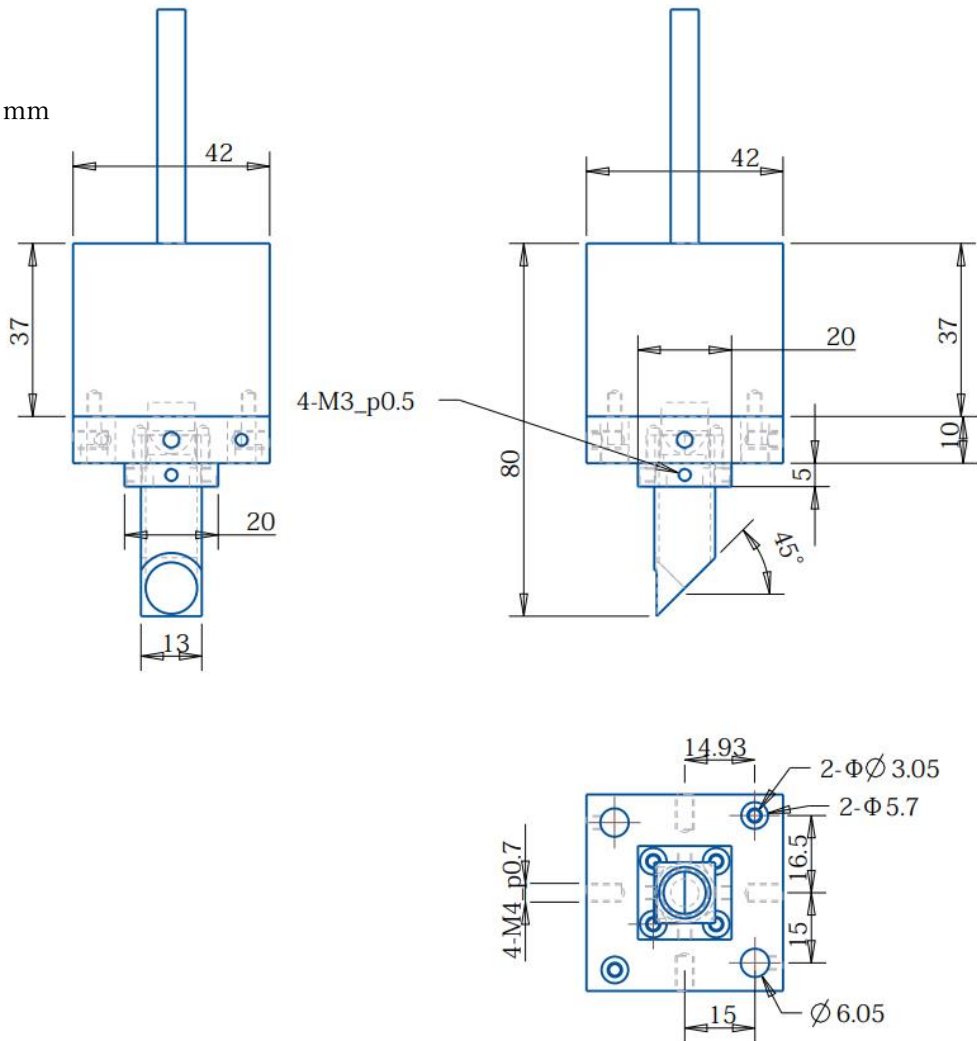
Specification

Number of channels	12ch
Wavelength	185-400nm
Power	2W
Type	Xenon flash lamp
Input voltage	4.75-5.5V, 10.8-13.2V
Lifetime	1000h
Environment	Temperature : 10~40°C Humidity : 30~80%RH (No Condensation)

Dimensions

● UV Lamp

Unit: mm



Smart Laser & Plasma Systems Co.
VBL, 2nd Floor, 2-1, Minamijyosanjima,
Tokushima, 770-8506 JAPAN

TEL: +81-88-656-7556 FAX: +81-88-656-7556
E-mail: info@slps.co.jp
WEB: <http://slps.co.jp/index.html>