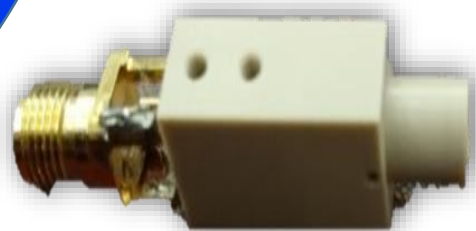


Smart Laser & Plasma Systems

1300-2000nm Detector

2D Time series Temperature and
Concentration distributions measurement system



Model Number

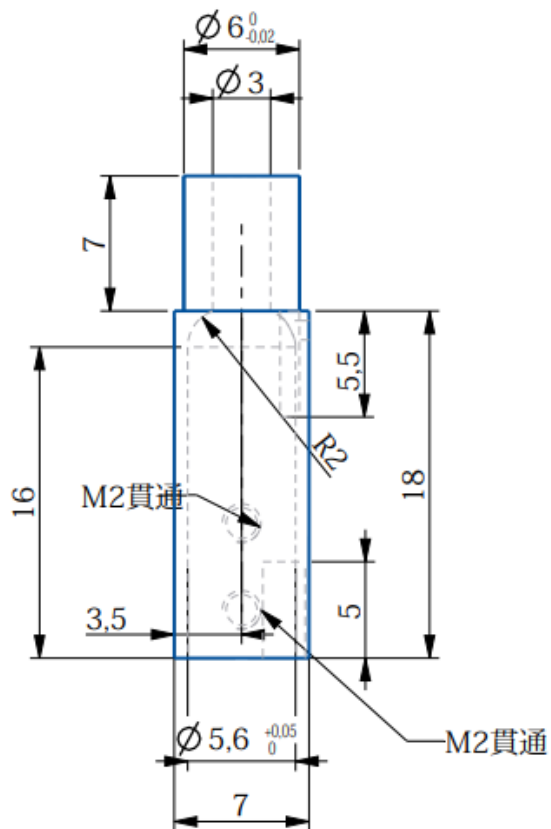
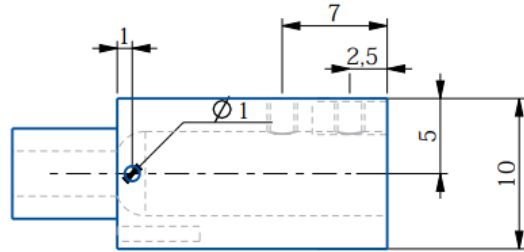
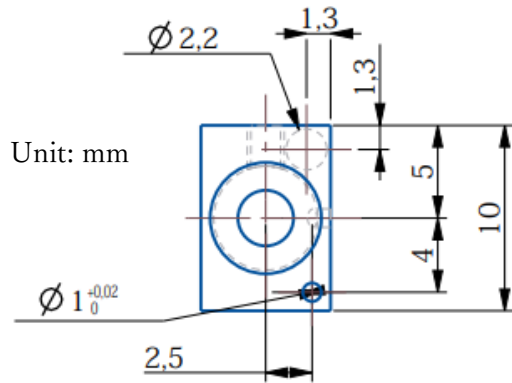
1300-2000nm Detector : DC-CT-1.3-2.0

Specification

Size of lens	Φ5mm
Wavelength	1300-2000nm
Type of Connector	SMA-J
Environment	Temperature : 10~40°C Humidity : 30~80%RH (No Condensation)

Dimensions

●Detector



Smart Laser & Plasma Systems Co.
VBL, 2nd Floor, 2-1, Minamijyosanjima,
Tokushima, 770-8506 JAPAN

TEL: +81-88-656-7556 **FAX: +81-88-656-7556**
E-mail: info@slps.co.jp
WEB: <http://slps.co.jp/index.html>